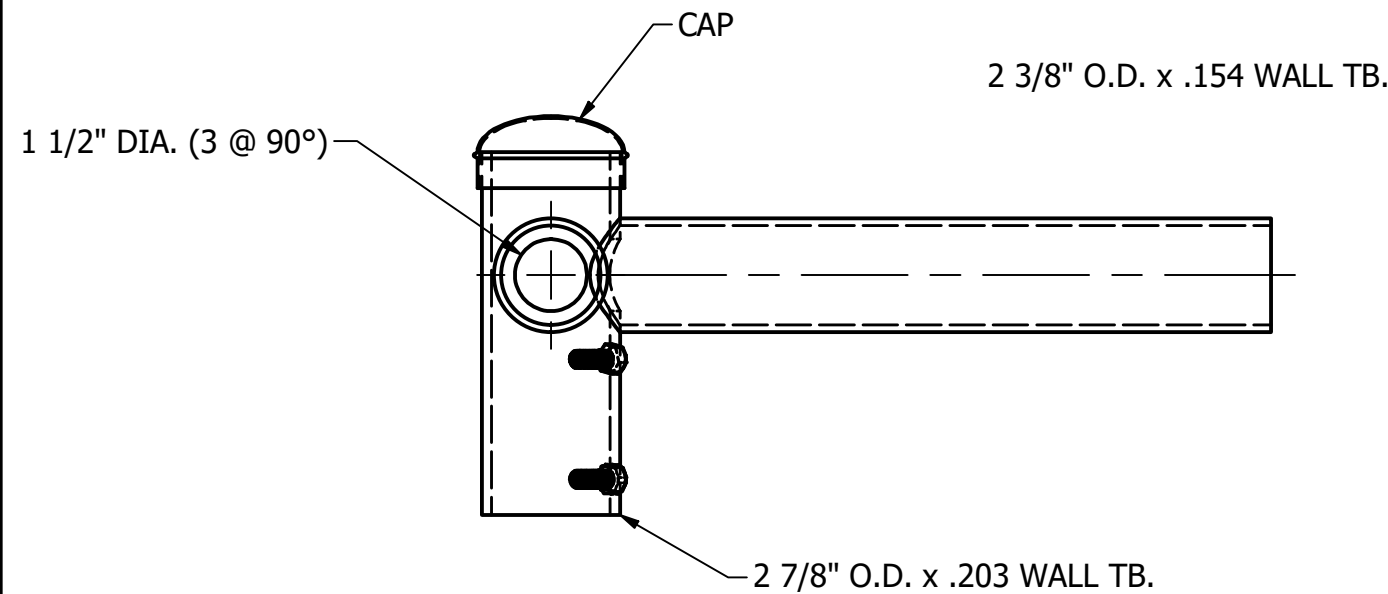


90° TYP.

15" REF.
TYP.

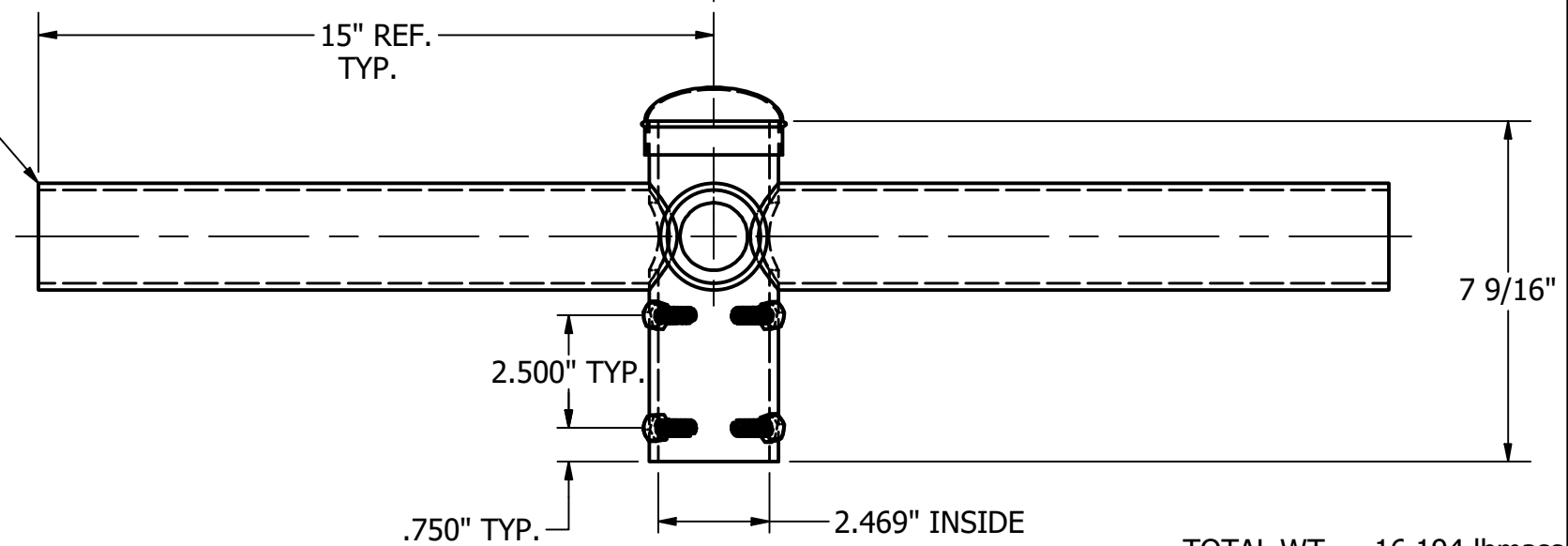


1 1/2" DIA. (3 @ 90°)

CAP

2 3/8" O.D. x .154 WALL TB.

2 7/8" O.D. x .203 WALL TB.



2.500" TYP.

.750" TYP.

2.469" INSIDE

7 9/16"

TOTAL WT. = 16.194 lbmass

REV	DATE	BY	DESCRIPTION

THIS DOCUMENT CONTAINS PROPRIETARY INFORMATION. DUPLICATION OR DISCLOSURE IS PROHIBITED WITHOUT THE EXPRESSED WRITTEN CONSENT OF FABRICATED METALS LLC	TOLERANCES: UNLESS OTHERWISE SPECIFIED	DRAWN BY: P. DAUGHERTY
	FRACTIONAL ±1/8"	APPROVED: PD
	2 PLACE DEC. ±.03	ECN:
	3 PLACE DEC. ±.005	SCALE: 1/4" = 1"
ANGULAR ±1°	DATE: 6/18/2018	

UTILITY METALS
(A DIVISION OF FABRICATED METALS LLC.)
DESCRIPTION: 2" x 15" 3 @ 90° SPOKE BRACKET FOR 2 3/8" TENON

PART NO.	SB-390-15-2
DWG NO.	G-8352-0
REV	0