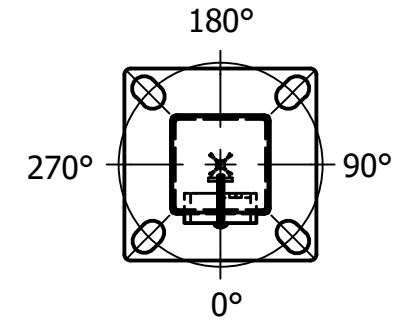
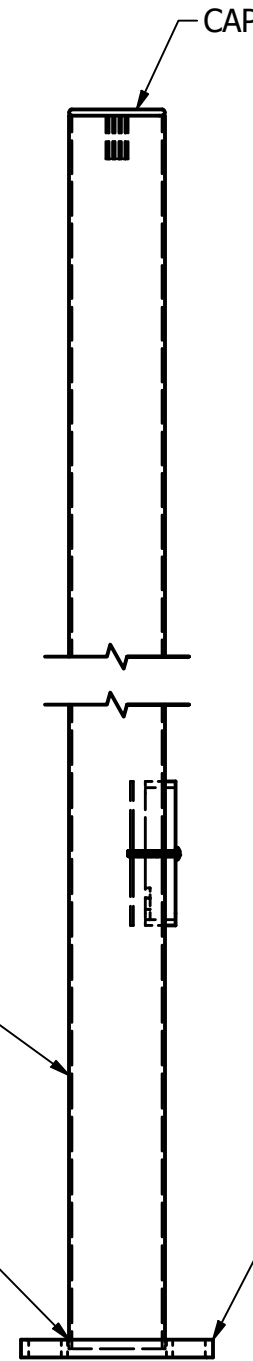


ITEM 2
BASE PLATE DETAIL
SCALE: 1/4" = 1"

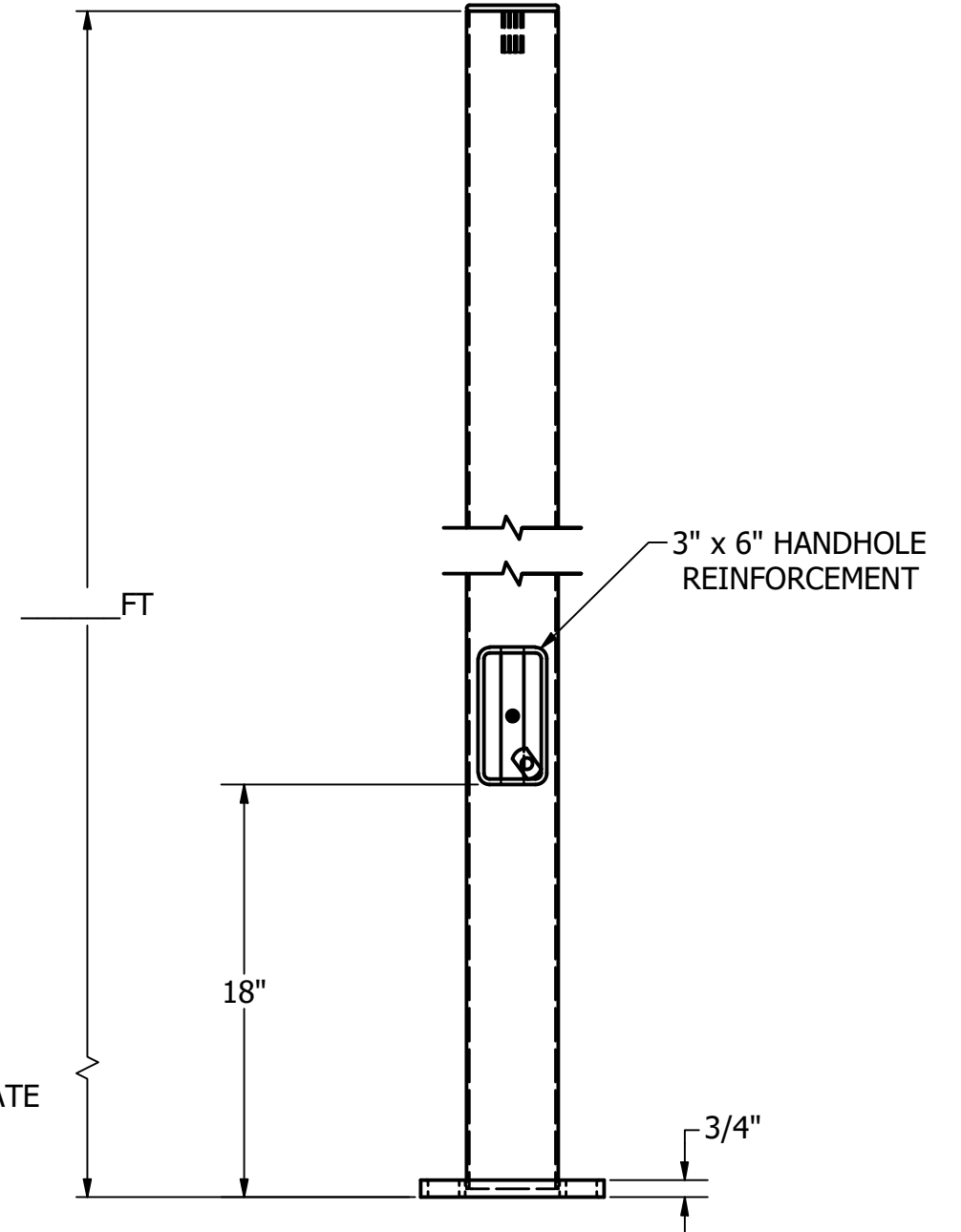


4" x 4" x 1/8" SQ. TB.

WALL THICKNESS
1/4"



3/4" PLATE



3" x 6" HANDHOLE REINFORCEMENT

3/4"

REV	DATE	BY	DESCRIPTION

THIS DOCUMENT CONTAINS PROPRIETARY INFORMATION. DUPLICATION OR DISCLOSURE IS PROHIBITED WITHOUT THE EXPRESSED WRITTEN CONSENT OF FABRICATED METALS LLC	TOLERANCES: UNLESS OTHERWISE SPECIFIED	DRAWN BY: P. DAUGHERTY
	FRACTIONAL ±1/8"	APPROVED: PD
	2 PLACE DEC. ±.03	ECN:
	3 PLACE DEC. ±.005	SCALE: 1/8" = 1"
ANGULAR ±1°	DATE: 1/2/2019	

UTILITY METALS (A DIVISION OF FABRICATED METALS LLC.)	PART NO.	
	SPQ4-11-__-	
4" x 4" x 11 GA. SQUARE POLE	DWG NO.	REV
	G-8606-0	0